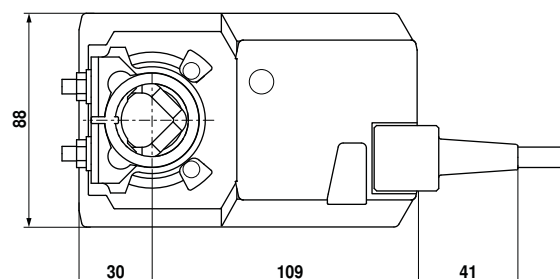
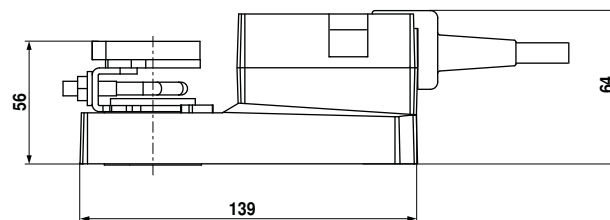


Damper actuator for adjusting air dampers in ventilation and air-conditioning systems for building services installations

- Torque 20Nm
- Nominal voltage AC/DC 24V
- Control: Open-close or 3-point


Technical data

Electrical data	Nominal voltage	AC 24V, 50/60Hz / DC 24V
	Nominal voltage range	AC 19.2...28.8V / DC 21.6...28.8V
	Power consumption	In operation 2W @ nominal torque At rest 0.2W For wire sizing 4VA
	Connection	Cable 1m, 3 x 0.75mm ²
Functional data	Torque (nominal torque)	Min. 20Nm @ nominal voltage
	Direction of rotation	Reversible with switch 0 ↺ resp. 1 ↻
	Manual override	Gearing latch disengaged with pushbutton, can be locked
	Angle of rotation	Max. 95°↔, can be limited at both ends with adjustable mechanical end stops
	Running time	150s / 90°↔
	Sound power level	Max. 45dB(A)
	Position indication	Mechanical, pluggable
	Safety	Protection class
Degree of protection		IP54 in any mounting position NEMA 2, UL Enclosure Type 2
EMC		CE according to 2004/108/EC
Certification		cULus according to UL 60730-1A and UL 60730-2-14 and CAN/CSA E60730-1:02 Certified to IEC/EN 60730-1 and IEC/EN 60730-2-14
Mode of operation		Type 1
Rated impulse voltage		0.8kV
Control pollution degree		3
Ambient temperature range		-30...+50°C
Non-operating temperature		-40...+80°C
Ambient humidity range		95% r.h., non-condensating
Maintenance	Maintenance-free	
Dimensions / Weight	Dimensions	See «Dimensions»
	Weight	Approx. 1.1kg

Dimensions [mm]
Dimensional drawings


Damper spindle	Length	⊙	⊠	◇
	≥48	10...20 ¹⁾	≥10	≤20
	≥20	10...20 ¹⁾	≥10	≤20

¹⁾ CrNi (INOX) 12...20

Damper actuator for adjusting air dampers in ventilation and air-conditioning systems for building services installations

- Torque 20Nm
- Nominal voltage AC/DC 24V
- Control: Open-close or 3-point
- with integrated auxiliary switch

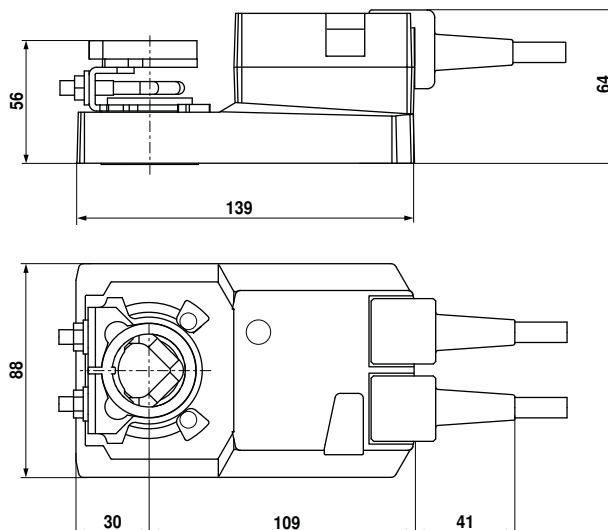


Technical data

Electrical data	Nominal voltage	AC 24V, 50/60Hz / DC 24V	
	Nominal voltage range	AC 19.2...28.8V / DC 21.6...28.8V	
	Power consumption	In operation 2W @ nominal torque At rest 0.2W For wire sizing 4VA	
	Auxiliary switch	1 x SPDT, 1mA...3 (0.5) A, AC 250V □ (0...100% adjustable)	
Functional data	Connection	Motor Cable 1m, 3 x 0.75mm ² Auxiliary switch Cable 1m, 3 x 0.75mm ²	
	Torque (nominal torque)	Min. 20Nm @ nominal voltage	
	Direction of rotation	Reversible with switch 0 ↺ resp. 1 ↻	
	Manual override	Gearing latch disengaged with pushbutton, can be locked	
	Angle of rotation	Max. 95° ↺, can be limited at both ends with adjustable mechanical end stops	
	Running time	150s / 90° ↺	
	Sound power level	Max. 45dB(A)	
	Position indication	Mechanical, pluggable	
	Safety	Protection class	III Safety extra-low voltage / UL Class 2 Supply
		Degree of protection	IP54 in any mounting position NEMA 2, UL Enclosure Type 2
EMC	CE	CE according to 2004/108/EC	
	Certification	cULus according to UL 60730-1A and UL 60730-2-14 and CAN/CSA E60730-1:02 Certified to IEC/EN 60730-1 and IEC/EN 60730-2-14	
Dimensions / Weight	Mode of operation	Type 1	
	Rated impulse voltage	0.8kV	
	Control pollution degree	3	
	Ambient temperature range	-30...+50°C	
	Non-operating temperature	-40...+80°C	
	Ambient humidity range	95% r.h., non-condensating	
	Maintenance	Maintenance-free	
	Dimensions	See «Dimensions»	
Weight	Approx. 1.2kg		

Dimensions [mm]

Dimensional drawings



Damper spindle	Length	● I	■ I	◆ I
	≥48	10...20 ¹⁾	≥10	≤20
	≥20	10...20 ¹⁾	≥10	≤20

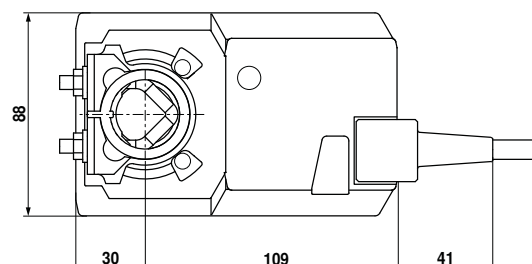
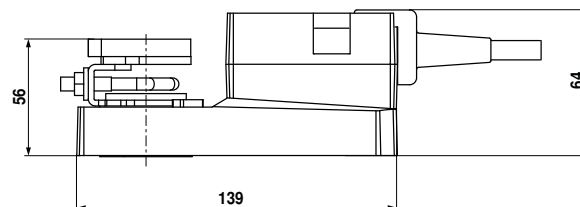
¹⁾ CrNi (INOX) 12...20

Modulating damper actuator for adjusting air dampers in ventilation and air-conditioning systems for building services installations

- Torque 20Nm
- Nominal voltage AC/DC 24V
- Control: Modulating DC (0)2...10V
- Position feedback DC 2...10V


Technical data

Electrical data	Nominal voltage	AC 24V, 50/60Hz / DC 24V
	Nominal voltage range	AC 19.2...28.8V / DC 21.6...28.8V
	Power consumption	In operation 2W @ nominal torque At rest 0.4W For wire sizing 4VA
	Connection	Cable 1m, 4 x 0.75mm ²
Functional data	Torque (nominal torque)	Min. 20Nm @ nominal voltage
	Control	Control signal Y DC (0)2...10V, typical input impedance 100kΩ Operating range DC 2...10V
	Position feedback (Measuring voltage U)	DC 2...10V, max. 1mA
	Position accuracy	±5%
	Direction of rotation	Reversible with switch 0 / 1
	Direction of motion at Y = 0 V	In switch position 0 ↻ resp. 1 ↻
	Manual override	Gearing latch disengaged with pushbutton, can be locked
	Angle of rotation	Max. 95°↔, can be limited at both ends with adjustable mechanical end stops
	Running time	150s / 90°↔
	Sound power level	Max. 45dB(A)
	Position indication	Mechanical, pluggable
	Safety	Protection class
Degree of protection		IP54 in any mounting position NEMA 2, UL Enclosure Type 2
EMC		CE according to 2004/108/EC
Certification		cULus according to UL 60730-1A and UL 60730-2-14 and CAN/CSA E60730-1:02 Certified to IEC/EN 60730-1 and IEC/EN 60730-2-14
Mode of operation		Type 1
Rated impulse voltage		0.8kV
Control pollution degree		3
Ambient temperature range		-30...+50°C
Non-operating temperature		-40...+80°C
Ambient humidity range		95% r.h., non-condensating
Maintenance	Maintenance-free	
Dimensions / Weight	Dimensions	See «Dimensions»
	Weight	Approx. 1.1kg

Dimensions [mm]
Dimensional drawings


Damper spindle	Length	⊙ I	■ I	◇ I
	≥48	10...20 ¹⁾	≥10	≤20
	≥20	10...20 ¹⁾	≥10	≤20

¹⁾ CrNi (INOX) 12...20

Damper actuator for adjusting air dampers in ventilation and air-conditioning systems for building services installations

- Torque 20Nm
- Nominal voltage AC 100...240V
- Control: Open-close or 3-point

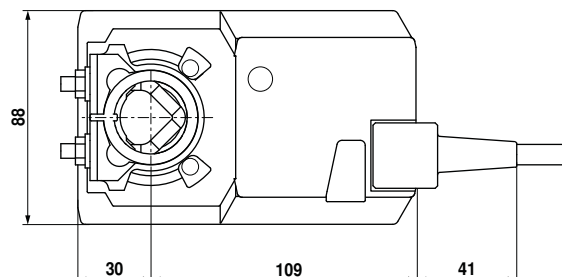
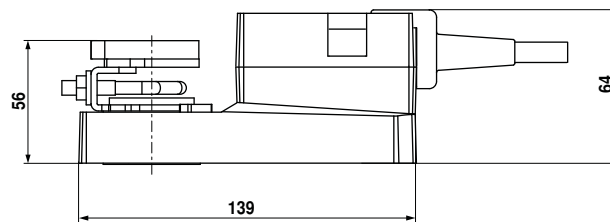


Technical data

Electrical data	Nominal voltage	AC 100...240V, 50/60Hz
	Nominal voltage range	AC 85...265V
	Power consumption	In operation 2.5W @ nominal torque At rest 0.6W
		For wire sizing 6VA
	Connection	Cable 1m, 3 x 0.75mm ²
Functional data	Torque (nominal torque)	Min. 20Nm @ nominal voltage
	Direction of rotation	Reversible with switch 0 ↺ resp. 1 ↻
	Manual override	Gearing latch disengaged with pushbutton, can be locked
	Angle of rotation	Max. 95° ↔, can be limited at both ends with adjustable mechanical end stops
	Running time	150s / 90° ↔
	Sound power level	Max. 45dB(A)
	Position indication	Mechanical, pluggable
Safety	Protection class	II Totally insulated ☐
	Degree of protection	IP54 in any mounting position NEMA 2, UL Enclosure Type 2
	EMC	CE according to 2004/108/EC
	Low voltage directive	CE according to 2006/95/EC
	Certification	Certified to IEC/EN 60730-1 and IEC/EN 60730-2-14
	Mode of operation	Type 1
	Rated impulse voltage	2.5kV
	Control pollution degree	3
	Ambient temperature range	-30...+50°C
	Non-operating temperature	-40...+80°C
	Ambient humidity range	95% r.h., non-condensating
	Maintenance	Maintenance-free
Dimensions / Weight	Dimensions	See «Dimensions»
	Weight	Approx. 1.1kg

Dimensions [mm]

Dimensional drawings



Damper spindle	Length	● I	■ I	◆ I
	≥48	10...20 ¹⁾	≥10	≤20
	≥20	10...20 ¹⁾	≥10	≤20

¹⁾ CrNi (INOX) 12...20

Damper actuator for adjusting air dampers in ventilation and air-conditioning systems for building services installations

- Torque 20Nm
- Nominal voltage AC 100...240V
- Control: Open-close or 3-point
- with integrated auxiliary switch

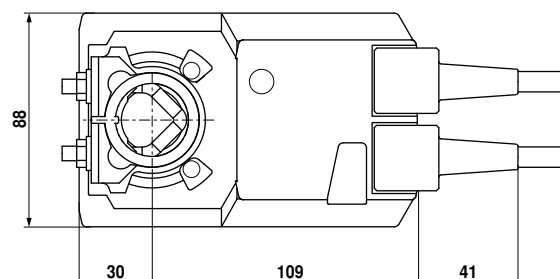
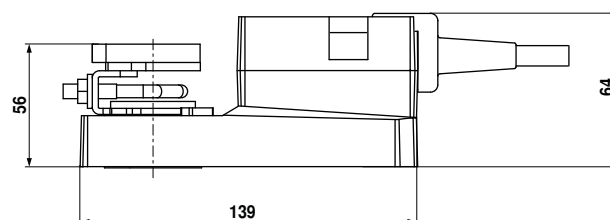


Technical data

Electrical data	Nominal voltage	AC 100...240V, 50/60Hz	
	Nominal voltage range	AC 85...265V	
	Power consumption	In operation 2.5W @ nominal torque At rest 0.6W For wire sizing 6VA	
	Auxiliary switch	1 x SPDT, 1mA...3 (0.5) A, AC 250V ☐ (0...100% adjustable)	
Functional data	Connection	Motor Cable 1m, 3 x 0.75mm ² Auxiliary switch Cable 1m, 3 x 0.75mm ²	
	Torque (nominal torque)	Min. 20Nm @ nominal voltage	
	Direction of rotation	Reversible with switch 0 ↺ resp. 1 ↻	
	Manual override	Gearing latch disengaged with pushbutton, can be locked	
	Angle of rotation	Max. 95°↔, can be limited at both ends with adjustable mechanical end stops	
	Running time	150s / 90°↔	
	Sound power level	Max. 45dB(A)	
	Position indication	Mechanical, pluggable	
	Safety	Protection class	II Totally insulated ☐
		Degree of protection	IP54 in any mounting position NEMA 2, UL Enclosure Type 2
		EMC	CE according to 2004/108/EC
		Low voltage directive	CE according to 2006/95/EC
Certification		cULus according to UL 60730-1A and UL 60730-2-14 and CAN/CSA E60730-1:02 Certified to IEC/EN 60730-1 and IEC/EN 60730-2-14	
Mode of operation		Type 1	
Rated impulse voltage		2.5kV	
Control pollution degree		3	
Ambient temperature range		-30...+50°C	
Non-operating temperature		-40...+80°C	
Dimensions / Weight	Ambient humidity range	95% r.h., non-condensating	
	Maintenance	Maintenance-free	
	Dimensions	See «Dimensions»	
	Weight	Approx. 1.2kg	

Dimensions [mm]

Dimensional drawings



Damper spindle	Length	● I	■ I	◆ I
	≥48	10...20 ¹⁾	≥10	≤20
	≥20	10...20 ¹⁾	≥10	≤20

¹⁾ CrNi (INOX) 12...20

Modulating damper actuator for adjusting air dampers in ventilation and air-conditioning systems for building services installations

- Torque 20Nm
- Nominal voltage AC 100...240V
- Control: Modulating DC (0)2...10V
- Position feedback DC 2...10V

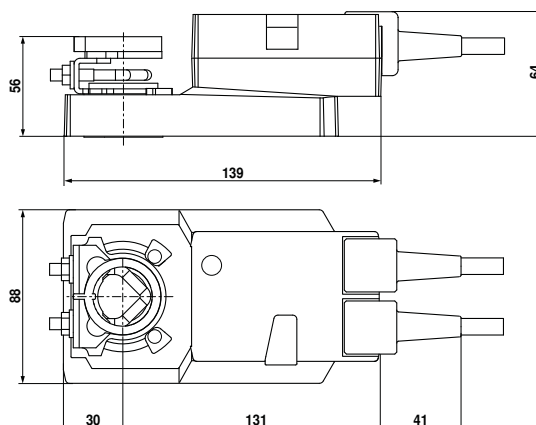


Technical data

Electrical data	Nominal voltage	AC 100...240V, 50/60Hz
	Nominal voltage range	AC 85...265V
	Power consumption	In operation 3.5W @ nominal torque At rest 0.6W For wire sizing 6.5VA
	Connection	Power supply Cable 1m, 2 x 0.75mm ² Signals Cable 1m, 4 x 0.75mm ²
Functional data	Torque (nominal torque)	Min. 20Nm @ nominal voltage
	Control	Control signal Y DC (0)2...10V, typical input impedance 100kΩ Operating range DC 2...10V
	Position feedback (Measuring voltage U)	DC 2...10V, max. 1mA
	Auxiliary supply	DC 24V ±30%, max. 10mA
	Position accuracy	±5%
	Direction of rotation	Reversible with switch 0 / 1
	Direction of motion at Y = 0V	In switch position 0 ↻ resp. 1 ↻
	Manual override	Gearing latch disengaged with pushbutton, can be locked
	Angle of rotation	Max. 95°↻, can be limited at both ends with adjustable mechanical end stops
	Running time	150s / 90°↻
	Sound power level	Max. 45dB(A)
Position indication	Mechanical, pluggable	
Safety	Protection class	II Totally insulated ☐
	Degree of protection	IP54 in any mounting position NEMA 2, UL Enclosure Type 2
	EMC	CE according to 2004/108/EC
	Low voltage directive	CE according to 2006/95/EC
	Certification	cULus according to UL 60730-1A and UL 60730-2-14 and CAN/CSA E60730-1:02 Certified to IEC/EN 60730-1 and IEC/EN 60730-2-14
	Mode of operation	Type 1
	Rated impulse voltage	2.5kV
	Control pollution degree	3
	Ambient temperature range	-30...+50°C
	Non-operating temperature	-40...+80°C
Ambient humidity range	95% r.h., non-condensating	
Maintenance	Maintenance-free	
Dimensions / Weight	Dimensions	See «Dimensions»
	Weight	Approx. 1.1kg

Dimensions [mm]

Dimensional drawings



Damper spindle	Length	● I	■ I	◆ I
	≥48	10...20 1)	≥10	≤20
	≥20	10...20 1)	≥10	≤20

1) CrNi (INOX) 12...20